

**POOL**  
**MODELS: 185B THROUGH 405B**

CATALOG NO. 9100.551  
Effective: 12-08-08  
Replaces: 09-20-07

## **RAYPAK REPLACEMENT PARTS**

**MODEL SIZE: 185B, 265B, 335B, 405B**

**MODEL TYPE: WHG VERSA**

DATE OF MANUFACTURE: 10-16-88 THRU 1993 MILLIVOLT HEATERS

10-16-88 THRU 11-09-92 ELECTRONIC IGNITION HEATERS

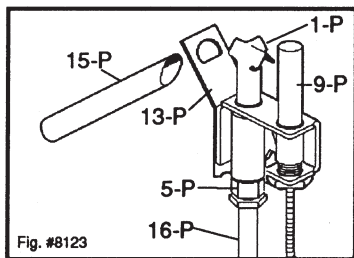
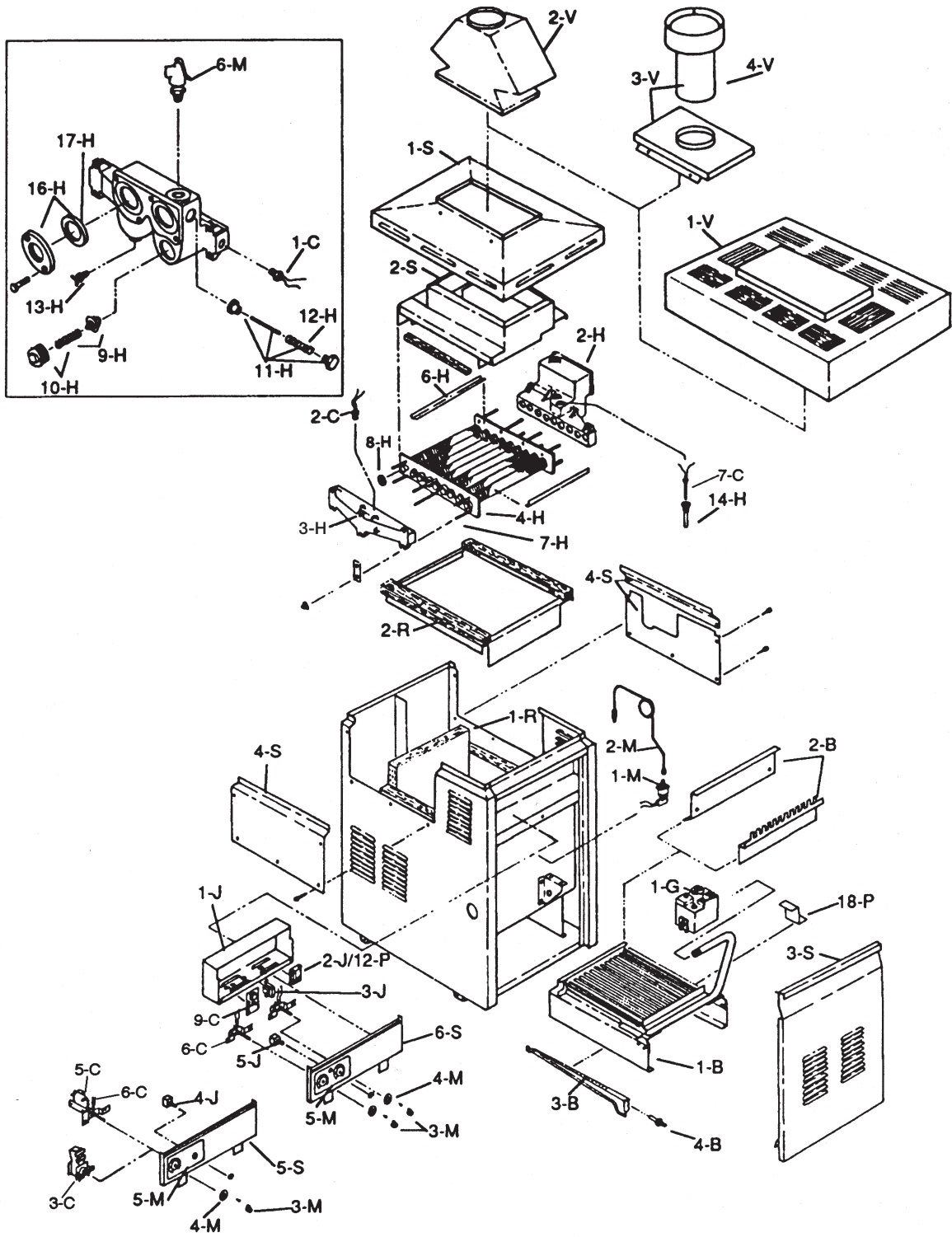
THE PARTS LISTED ARE FOR STANDARD EQUIPMENT FOR THIS MODEL TYPE. RAYPAK RESERVES THE RIGHT TO SUBSTITUTE, DELETE OR CHANGE ANY PART WITHOUT NOTIFICATION. THE ADDITION OF OPTIONS MAY ALSO CHANGE SOME OF THE PARTS. ORDER REPLACEMENT PARTS FROM ACTUAL HEATER COMPONENTS.



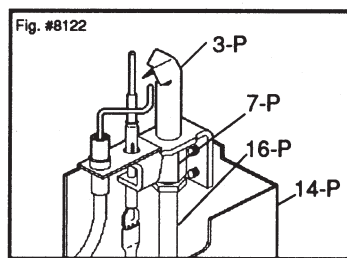
FOR DETAILED INSTRUCTIONS ON "HOW TO USE YOUR RAYPAK ILLUSTRATED PARTS LIST" SEE 9001.10 INSTRUCTION SHEET.



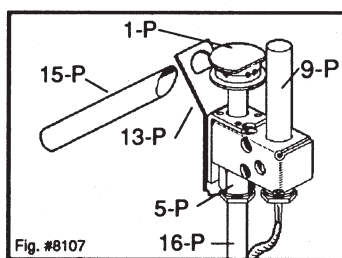
Raypak, Inc., 2151 Eastman Avenue, Oxnard, CA 93030  
(805) 278-5300 FAX (800) 872-9725  
Litho In U.S.A.



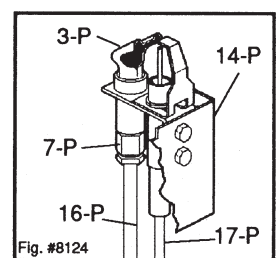
Robertshaw MV



Robertshaw IID



Honeywell MV



Honeywell IID

CALL OUT	DESCRIPTION	185B	265B	335B	405B
<b>B</b>	<b>BURNER TRAY</b>				
1-B	Burner Tray w/Burners (Sea Level)*	004386F	004387F	004388F	004389F
	Burner Tray w/o Burners (Sea Level)*	004390F	004391F	004392F	004393F
	Burner Tray w/Gas Valve Nat STG	004852F	004856F	004860F	004864F
	Burner Tray w/Gas Valve Pro STG	004854F	004858F	004862F	004866F
	Burner Tray w/Gas Valve Nat IID	004853F	004857F	004861F	004865F
	Burner Tray w/Gas Valve Pro IID	004855F	004859F	004863F	004867F
2-B	Burner Spacer/Hold Down Kit	004394F	004395F	004396F	004397F
3-B	Burner	301210/12	301210/17	301210/21	301210/26
4-B	Burner Orifice Nat. #50 (Sea Level)*	350079F/12	350079F/17	350079F/21	350079F/26
	Burner Orifice Pro. #57 (Sea Level)*	350083F/12	350083F/17	350083F/21	350083F/26
<b>C</b>	<b>CONTROLS</b>				
1-C	High Limit 135 <sup>∞</sup>	600892B	600892B	600892B	600892B
2-C	High Limit 140 <sup>∞</sup>	600893B	600893B	600893B	600893B
3-C	Thermostat Control MV (Mechanical)	003346F	003346F	003346F	003346F
4-C	Thermostat Control MV (Solid State)	005391F	005391F	005391F	005391F
5-C	PC Board	005089B	005089B	005089B	005089B
6-C	Potentiometer	005087B	005087B	005087B	005087B
7-C	Temperature Sensor	005088B	005088B	005088B	005088B
8-C	Thermostat Control IID (Solid State)	005390F	005390F	005390F	005390F
9-C	PC Board	005086B	005086B	005086B	005086B
6-C	Potentiometer	005087B	005087B	005087B	005087B
7-C	Temperature Sensor	005088B	005088B	005088B	005088B
<b>G</b>	<b>GAS VALVE</b>				
1-G	Combination Valve - Nat. MV	003898F	003898F	003898F	003898F
	Combination Valve - Pro. MV	003899F	003899F	003899F	003899F
	Combination Valve - Nat. IID	003900F	003900F	003900F	003900F
	Combination Valve - Pro. IID	004306F	004306F	004306F	004306F
<b>H</b>	<b>HEAT EXCHANGER</b>				
1-H	Heat Exchange Assy. CI (Complete)	003752F	003753F	003754F	003755F
	Heat Exchange Assy. BR (Complete)	004052F	003756F	003757F	003758F
2-H	Inlet/Outlet Header CI	003759F	003759F	003759F	003759F
	Inlet/Outlet Header BR	003760F	003760F	003760F	003760F
3-H	Return Header CI	002450F	002450F	002450F	002450F
	Return Header BR	002451F	002451F	002451F	002451F
4-H	Tube Bundle	004671F	004672F	004673F	004674F
	Heat Exchange Tube	002456F	002457F	002458F	002459F
6-H	Baffle Kit	001299F	001300F	001301F	001302F
7-H	Bolt Kit	001303F	001303F	001303F	001303F
8-H	Header Gasket	800014B	800014B	800014B	800014B
9-H	Unitherm Governor	062234B	062234B	062234B	062234B
10-H	U.G. Retainer Spring	850254	850254	850254	850254
11-H	Bypass Valve	062235B	062235B	062235B	062235B
12-H	Bypass Spring	850252	850253	850253	850253
13-H	Drain Valve	500719	500719	500719	500719
14-H	Sensor Well	003765F	003765F	003765F	003765F
15-H	Well Retaining Clip	300203	300203	300203	300203
16-H	Inlet & Outlet Flange	003766F	003766F	003766F	003766F
17-H	Flange Gasket 1 1/2" Connections	062236B	062236B	062236B	062236B
	Flange Gasket 2" Connections	800080B	800080B	800080B	800080B
<b>J</b>	<b>J BOX/CONTROL BOX</b>				
1-J	Control Box IID w/o Thermostat Nat	003767F	003767F	003767F	003767F
	Control Box IID w/o Thermostat Pro	004307F	004307F	004307F	004307F
2-J	Ignition Control IID Nat.	004817B	004817B	004817B	004817B
	Ignition Control IID Pro.	004818B	004818B	004818B	004818B
3-J	Transformer 120/240/24V	006736F	006736F	006736F	006736F
4-J	Toggle Switch (MV Units)	650761	650761	650761	650761
5-J	Toggle Switch (IID & Dual MV Units)	650760	650760	650760	650760

\*FOR ALTITUDES ABOVE 2,000 FEET LEVEL, CONSULT THE FACTORY

CALL OUT	DESCRIPTION	185B	265B	335B	405B
<b>M</b>	<b>MISCELLANEOUS COMPONENTS</b>				
1-M	Pressure Switch	062237B	062237B	062237B	062237B
2-M	Pressure Switch Tube Assy.	003272F	003272F	003272F	003272F
3-M	Thermostat Knob	006885F	006885F	006885F	006885F
4-M	Knobstop	006886F	006886F	006886F	006886F
5-M	Dial Plate MV Pilot CI	900748	900748	900748	900748
	Dial Plate MV Pilot CI Dual				900752F
	Dial Plate MV Pilot BR	900741	900741	900741	900741
	Dial Plate IID Pilot CI	900750	900750	900750	900750
	Dial Plate IID Pilot BR	900743F	900743F	900743F	900743F
6-M	PRV 125 PSI	008091F	011912F	011912F	011912F
7-M	Deliming Kit	052871F	052871F	052871F	052871F
8-M	Wire/Harness STD	004415F	004415F	004415F	004415F
	Wire/Harness IID	004008F	004008F	004008F	004008F
<b>P</b>	<b>PILOT</b>				
1-P	Pilot Nat. MV	600525B	600525B	600525B	600525B
	Pilot Pro. MV	600575B	600575B	600575B	600575B
3-P	Pilot Nat. IID	002003F	002003F	002003F	002003F
	Pilot Pro. IID	002003F	002003F	002003F	002003F
5-P	Pilot Orifice Nat. MV	003901F	003901F	003901F	003901F
	Pilot Orifice Pro. MV	003902F	003902F	003902F	003902F
7-P	Pilot Orifice Nat. IID	003903F	003903F	003903F	003903F
	Pilot Orifice Pro. IID	004308F	004308F	004308F	004308F
9-P	Pilot Generator MV	600019B	600019B	600019B	600019B
12-P	Ignition Control IID Nat.	004817B	004817B	004817B	004817B
	Ignition Control IID Pro.	004818B	004818B	004818B	004818B
13-P	Pilot MTG Bracket MV	306693	306693	306693	306693
14-P	Pilot MTG Bracket IID	306692	306692	306692	306692
15-P	Lighter Tube (MV Units Only)	062996	062996	062996	062996
16-P	Pilot Tube	400607	400607	400607	400607
17-P	Hi Tension Wire IID	002654B	002654B	002654B	002654B
18-P	Pilot Shield	306674	306674	306674	306674
<b>R</b>	<b>REFRACTORY</b>				
1-R	Refractory Kit	004428F	004429F	004430F	004431F
2-R	Refractory Retainer Kit	001304F	001305F	001306F	001307F
<b>S</b>	<b>SHEETMETAL</b>				
1-S	Jacket Top	N/A	N/A	N/A	N/A
2-S	Flue Collector	N/A	N/A	N/A	N/A
3-S	Door Assy.	N/A	N/A	N/A	N/A
4-S	Access Panel Group	N/A	N/A	N/A	N/A
5-S	Control Panel MV Pilot	N/A	N/A	N/A	N/A
6-S	Control Panel IID Pilot	N/A	N/A	N/A	N/A
<b>V</b>	<b>VENTING</b>				
1-V	Stackless Top (Outdoor)	003711	003712	003713	003714
2-V	Draffhood (Indoor)	003724F	003725F	003726	003727
3-V	Outdoor Stack w/Adapter (Outdoor)	N/A	N/A	N/A	N/A
4-V	Outdoor Stack	N/A	N/A	N/A	N/A

CONVERSION KITS**	185B	265B	335B	405B
<b>Gas Conversions</b>				
Nat. to Pro. MV Pilot	004690B	004690B	004692B	004692B
Pro. to Nat. MV Pilot	004691F	004691F	004693F	004693F
Nat. to Pro. IID Pilot	N/A	N/A	N/A	N/A
Pro. to Nat. IID Pilot	N/A	N/A	N/A	N/A
Thermostat Conversions MV Only				
Single Solid State to Dual Solid State	N/A	N/A	N/A	N/A
Single Mechanical Stat to Dual Solid State Stat	N/A	N/A	N/A	N/A

**\*\*Gas conversions are to be done only by a qualified agency.  
Consult the factory for gas conversions.**



Registered Quality Management System

**www.raypak.com**